

IDENTIFIRE 

ALARM SYSTEM CONNECTION BOX

Provides a method for joining alarm system cables in a clearly defined method.

Supports cables up to 2.5mm² and can join up to 4 separate conductors (i.e. Sounder Circuit and Detection Circuit). Each Connection Box provides a very low resistance to minimise any volt drop.

Like all Identifire products, this product is available as either flush or surface mounted.

FEATURES

- Consistent design with the rest of the Identifire range
- Can be printed with any text in any language*

SPECIFICATION

Maximum Conductor Size	2.5mm ² per terminal
Typical resistance through unit	12 mΩ
Maximum current per terminal	2 A
Maximum Voltage	<50 V dc
Operating Temperature	-5° to +50° Celsius
Operating humidity	95% non-condensing
Material	Fire rated ABS
Installation Knockouts	4 x 20 mm round, 1 x rectangular

PART CODE

Part Code	Part Name
10-2410RFX-S	Identifire Alarm System Connection Box, Flush, Red
10-2410RSX-S	Identifire Alarm System Connection Box, Surface, Red
10-2410WFX-S	Identifire Alarm System Connection Box, Flush, White
10-2410WSX-S	Identifire Alarm System Connection Box, Surface, White



FLUSH MOUNTED



SURFACE MOUNTED

*Minimum order quantities / setup charge may apply

Vimpex Limited
Star Lane
Great Wakering
Essex SS3 0PJ, UK

t. +44 (0) 1702 216999
e. sales@vimpex.co.uk
www.vimpex.co.uk



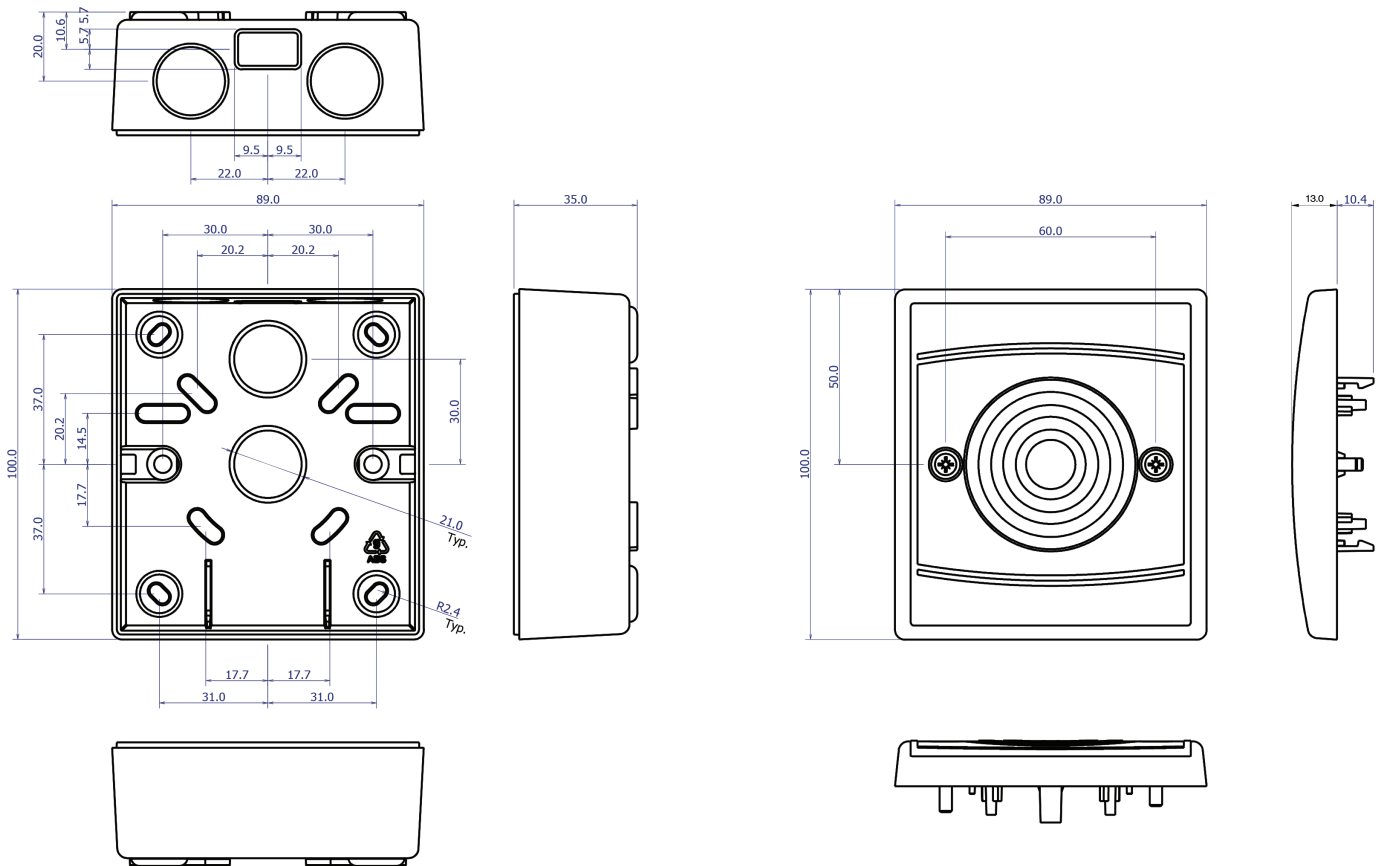
VIMPEX



ALARM SYSTEM CONNECTION BOX

TECHNICAL DRAWING

BACK BOX



DS/3700037 Iss1

We reserve the right to change or amend any design or specification in line with our policy of continuing development and improvement.

Vimpex Limited
 Star Lane
 Great Wakering
 Essex SS3 0PJ, UK

t. +44 (0) 1702 216999
 e. sales@vimpex.co.uk
 www.vimpex.co.uk

